

Spin-on Breathers

Adaptors and Disposable Breathers



Fluid contamination is the root cause of most hydraulic system failures. Controlling airborne contamination is critical. The synergy of Hy-Pro fluid filter elements and Hy-Pro Spin-on breathers yields clean fluid and a healthy hydraulic system.

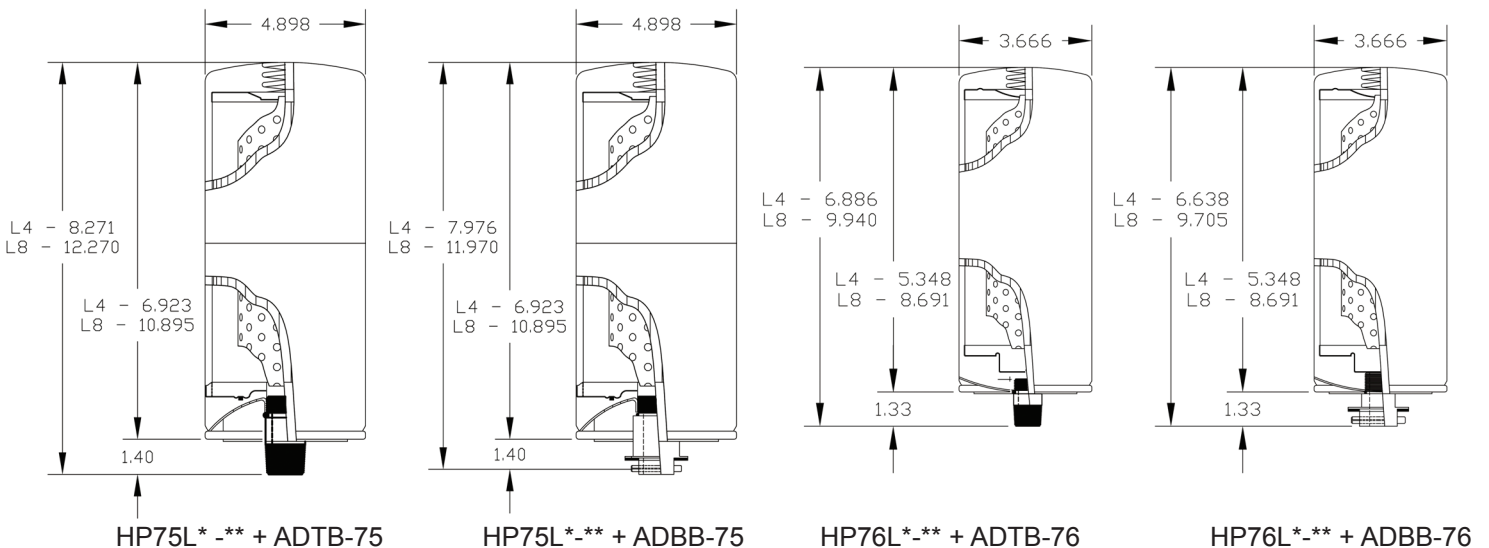
PRODUCT SPECIFICATIONS

Media Code	Media Efficiency (Air)
3M	0.3µ absolute
6M	0.6µ absolute
10C	3.0µ absolute
12M	1.0µ absolute
25C	10.0µ absolute
25M	2.5µ absolute
Operating temp.	-20°F (-28°C) to 200°F (93°C)

SPIN-ON BREATHER APPLICATIONS

- Replace ineffective filler / breather caps
- Control contaminant ingress with glass media elements
- High capacity, High efficiency pleated elements extend the life of other filters in the system.

SPIN-ON BREATHER + ADAPTOR ASSEMBLY INSTALLATION DRAWINGS



FILTRATION

www.hyprofiltration.com