

Section 8400 Index

VENT PLUG WITH FILTER AND CHECK VALVE94



Has filter with an additional feature of a check valve which is designed to allow air to pass through it in one direction only.

VENT PLUGS WITH DEFLECTORS94



Simple, sturdy, and are of one-piece construction which makes the plug safe for use anywhere.

VENT PLUGS WITH FILTER94



Used to relieve pressure or vacuum on bearing housings, gear boxes, reservoirs, or any application where venting is necessary.

LIQUID FILTERS95



These are primarily used on small individual components such as Sight Feed Valves, Spray Valves, Oil Cups etc.

VENT PLUG WITH FILTER AND DEFLECTOR95



Minimizes undesirable problems, such as bearing seal blow-out due to excessive pressure, assuring pressure equalization. Also they can serve as Filler Plugs.

Vent Plugs

VENT PLUGS WITH FILTER can be used to relieve pressure or vacuum on bearing housings, gear boxes, reservoirs, or any application where venting is necessary. These vent plugs assure pressure equalization and minimize undesirable problems, such as bearing seal blowout due to excessive pressure.

The vent plugs allow air to freely communicate through a 40 micron filter. The filter is easy to clean — just unscrew the hex cap on top, remove filter element, clean, and reassemble.

SPECIFICATIONS:

- Temperature 225° F. Maximum
- Body Steel, Plated
- Filter 40 Micron

When Ordering Specify:

- Catalog Number



Style FV

VENT PLUGS WITH DEFLECTORS are simple, sturdy, and are of one-piece construction which makes the plug safe for use anywhere. High in quality and low in cost, these units are used on bearings, gear boxes, reservoirs, and similar applications, wherever the necessity of pressure or vacuum relief exists. They can also serve as filler plugs.

They are equipped with a splash deflector which prevents the liquid from spilling into the vent hole and outside. To allow air to communicate freely with the outside, no screens or filters are used which might make the units inoperative.

SPECIFICATIONS:

- Body Steel, Plated

When Ordering Specify:

- Catalog Number

VENT PLUGS WITH FILTER AND

CHECK VALVE is similar to the A-3432 series, however, it has a check valve which is designed to allow air to pass through it in one direction only. Pressure from the opposite direction immediately closes the valve eliminating fluid loss.

The vent plug allows air to freely communicate through a 40 micron filter. Easy to clean — just unscrew the hex cap on top, remove filter element, clean, and re-assemble.

SPECIFICATIONS:

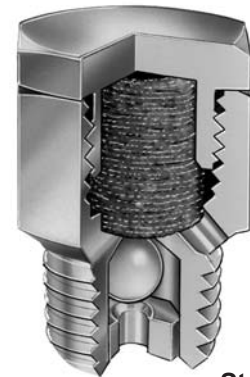
- Temperature 225° F. Maximum
- Ball Plastic ³/₁₆ Dia.
- Filter 40 Micron

When Ordering Specify:

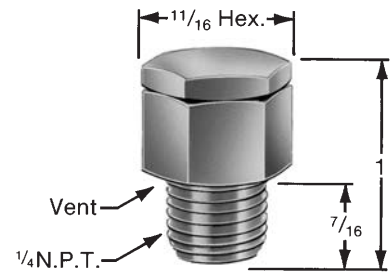
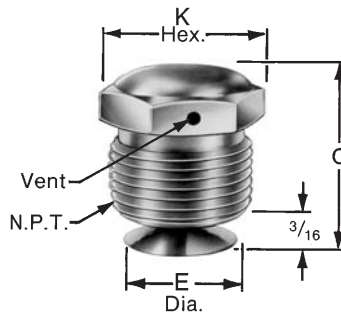
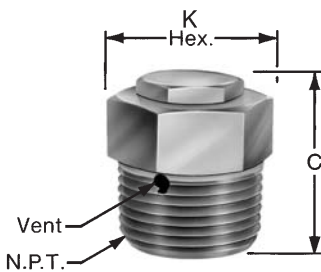
- Catalog Number



Style FV



Style FV



Catalog Number	N.P.T. Size	C	K Hex
A-3432-1	1/8 Male	1	11/16
A-3432-2	1/4 Male	1	11/16
A-3432-3	3/8 Male	1 1/16	3/4
A-3432-4	1/2 Male	1 3/16	15/16
A-3432-5	3/4 Male.	1 1/4	1 1/16

Catalog Number	N.P.T. Size	C	E	K Hex
A-3229-1	1/8 Male	15/16	5/16	7/16
A-3229-2	1/4 Male	1	13/32	9/16
A-3229-3	3/8 Male	1 1/8	17/32	11/16
A-3229-4	1/2 Male	1 3/16	11/16	15/16
A-3229-5	3/4 Male.	1 1/4	7/8	1 1/16
A-3229-6	1 Male.	1 3/8	1 1/16	1 3/8

Catalog Number	Material
* A-3585-1	Steel,Plated
* A-3585-2	Steel, Nickel Plated
* A-3585-3	Aluminum, Clear Anodized

* Special - Please Consult Factory

Vent Plugs & Filters

VENT PLUGS WITH FILTER AND DEFLECTORS can be used to relieve pressure or vacuum on bearing housings, gear boxes, reservoirs, or any application where venting is necessary. These vent plugs assure pressure equalization and minimize undesirable problems, such as bearing seal blowout due to excessive pressure.

The vent plugs allow air to freely communicate through a 40 micron filter. The filter is easy to clean — just unscrew the hex cap on top, remove filter element, clean, and reassemble.

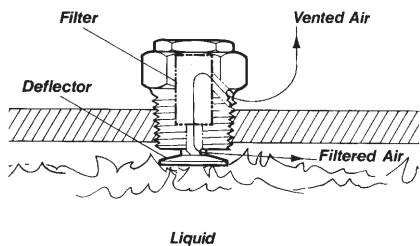
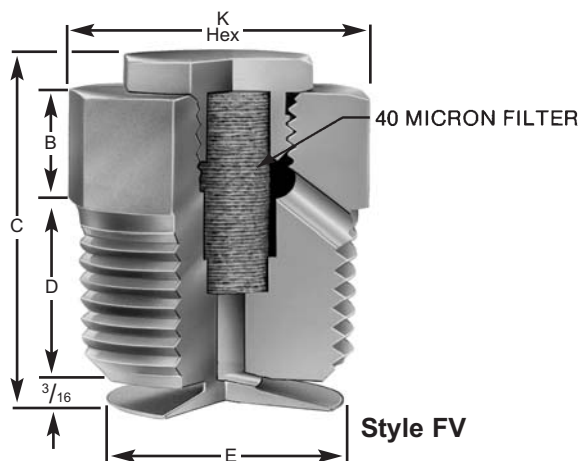
They are also equipped with a splash deflector which prevents the liquid from spilling into the vent hole and outside.

SPECIFICATIONS:

- Temperature 225° F. Maximum
- Body Steel, Plated
- Filter 40 Micron

When Ordering Specify:

- Catalog Number



Catalog Number	N.P.T. Size	B	C	D (Ref)	E	K Hex
* A-5170-1	1/8 Male	1/2	1 3/16	9/16	5/16	11/16
* A-5170-2	1/4 Male	7/16	1 3/16	5/8	13/32	11/16
* A-5170-3	3/8 Male	7/16	1 1/4	11/16	17/32	3/4
A-5170-4	1/2 Male	3/8	1 5/16	13/16	11/16	15/16
A-5170-5	3/4 Male	7/16	1 3/8	13/16	7/8	1 1/16

* Special - Please Consult Factory

LIQUID FILTERS principle use is for small individual components such as Sight Feed Valves, Spray Valves, Oil Cups, etc. where it is desirable to use one filter with each component.

The 40 micron filter element can be easily removed for occasional cleaning or for the replacement of the element itself.

An idea of the capacity of the filter can be visualized from a test of 750 SSU liquid at 70° F. gravity feed with a 6 inch head. This resulted in a flow of 1/2 ounce per minute. The maximum pressure of the unit should not exceed 125 PSI.

SPECIFICATIONS:

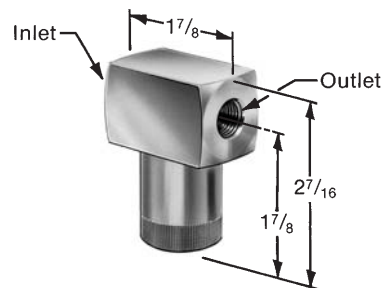
- Temperature 225° F. Maximum
- Pressure 125 P.S.I. Maximum
- Flow Capacity 1/8 G.P.M. @ 10 P.S.I. with Sae 20 Oil
- Body Aluminum Alloy
- Filter 40 Micron
- Seals Buna-N

When Ordering Specify:

- Catalog Number



Style FO



Catalog Number	Inlet N.P.T.	Outlet N.P.T.	Filter
A-4739-1	1/4	1/4	40 Micron

Vent Plugs & Filters